

# ICANN Technical Engagement

## ICANN 75 Tech Day

Yazid Akanho; Champika Wijayatunga; Nicolas Antonello

OCTO-TE

ICANN Office of the CTO

Sept. 19, 2022



# Who we are ?

- Team mainly in charge of DNS Secured Operations Outreach/Training/Capacity Building programs.
- Regionalized team to better align diverse regional needs and ICANN Strategic Goals.



**Adiel Akplogan,**  
Vice President for  
Technical Engagement



**Carlos Alvarez,**  
Trust and Public Safety  
Engagement Director



**David Huberman**



**Champika Wijayatunga**



**Nicolás Antoniello**



**Yazid Akanho**



# What we do ?

---

- Technical content (English, French, Spanish) on DNS, DNSSEC, DNS security for the community in a more digested approach.
- Capacity building (webinars + hands-on), Technical support and collaboration :
  - with + 20 registries from various regions (.BJ, .CI, .CM, .FJ, .SN, .TG, .RW, .PK, .SA, .PG, ...):  
improve operational processes, fix technical and configs issues or DNSSEC signing  
preparation: readiness assessment, build test infrastructure, testing, etc.
  - to increase DNSSEC validation and improve DNS ops. at ISP/MNOs : a dozen of operators assisted (MTN, Orange, GEMNET Pakistan, ...).
  - to NOGs, regional Orgs., on-demand: Soudan, South Africa, Senegal, CABASE, APTLD, LACTLD, ANUIES, USTTI, Nordics, INNOG, AFRALO, LACRALO, ...
  - LEAs in all regions: INTERPOL, Criminal justice authorities, CERTs, LE, GAC representatives.
  - ICANN Learn: two technical courses soon, plan to integrate the virtual lab platform.
- Different regional approaches based on specificities and needs.

# TE Course catalogue

## Technical Engagement Training Course Catalogue

If you are interested in having the Technical Engagement team present any of the courses listed in the catalogue, or would like more information, please do not hesitate to [contact us](#).

[ICANN's Technical Mission](#)

[DNS 101](#)

[DNSSEC 101](#)

[Advanced DNS](#)

[Advanced DNSSEC](#)

[Registry Operations for ccTLDs](#)

[OSINT: Fighting DNS Abuse \(DNS Abuse for LEAs\)](#)

[DNS Abuse: Threats and Mitigation](#)

[Introduction to RDAP for Domain Names Registrations](#)

[DNS Ecosystem Security](#)

[DNS for Internet Service Providers](#)

[Network Operation Security](#)

[UA: Email Address Internationalization \(EAI\)](#)

[UA: Universal Acceptance for Java Developers](#)

Request training and hands-on : email us at [OCTO@icann.org](mailto:OCTO@icann.org)

# The online lab platform

---

- A set of individual virtual machines (LXC containers) running on AWS LightSail or EC2 host.
- Suitable for Covid-19 lockdown and post-pandemic: Deploy online and connect from almost anywhere, all you need is a browser and an internet connection.
- Efficiency: time saving on deployment compared to physical infrastructure.
- 'Hardwareless':
  - hardware management is always risky (loss, physical damage during transportation, power issues, etc.).
  - Helpful in jurisdictions with hardware restrictions or infosec cyber risk.
- Scalable:
  - run parallel trainings with different audiences in different configuration.
  - integration to ICANN learn (under analysis).

# OCTO029: a guidebook for DNSSEC deployment

---

- Aims to assist ccTLD registry operators in understanding DNSSEC deployment at a TLD.
- Target audience:
  - TLD registry managers, staff, registrars, registrants
  - Operator who administers zones
  - Anyone willing to have an overview of how to deploy DNSSEC on a ccTLD.
  - Either you are already DNSSEC signed or not, you can glean insights on
- DNSSEC deployment checklist: a list of adjustable action items that aims to simplify your journey into DNSSEC deployment.
- Adopted by two ccTLDs in Africa : moving on their own speed; one has improved their operations and internal processes; the second is in test.
- Download the guidebook : <https://www.icann.org/en/system/files/files/octo-029-12nov21-en.pdf>

# Few observations

---

- Greater awareness and concern regarding improving on cybersecurity posture and resiliency within institutions and organizations in all regions.
- Translated to many requests for training and capacity building in DNS and security best practices including hands-on.
- Some ccTLDs hesitant to sign their zones - their concerns is that DNSSEC may 'break' their DNS.
- Lending technical assistance and support requires a lot of patience.
- There is still much to do.

# Lab Overview

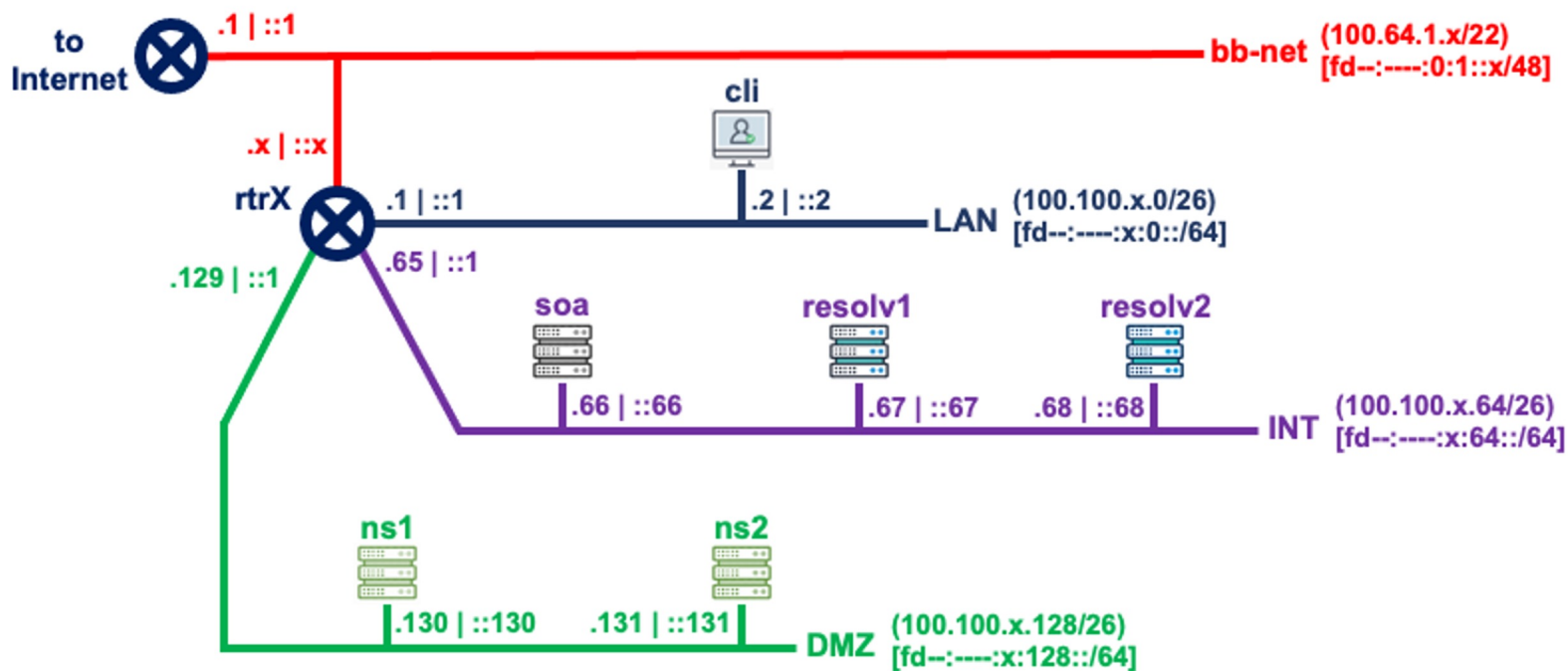
---

- A set of individual virtual machines (LXC containers) running on AWS LightSail or EC2 host.
- Tuned and tested to run over 350 containers at the same time including “real” authoritative DNS lab server and networking virtual routers.
- Full IPv4 and IPv6 support.
- Developed template servers includes:
  - Recursive DNS servers (BIND and UNBOUND)
  - Authoritative DNS servers (NSD and BIND + OpenDNSSEC)
  - Routers (FRR)
  - Other: Client (Ubuntu); RPKI validator (FORT); routers for ANYCAST for DNS labs
- Ability to dynamically deploy infrastructure according to specific needs of each lab and number of participants.
- Extensible architecture in order to add future features.



# Lab Overview

## grpX network topology



Lab address space: `(100.64.0.0/10)`  
`[fd--:----::/32]`

Click on selected device to  
access its terminal

# Engage with ICANN – Thank You and Questions



One World, One Internet

Visit us at [icann.org](https://icann.org)



[@icann](https://twitter.com/icann)



[facebook.com/icannorg](https://facebook.com/icannorg)



[youtube.com/icannnews](https://youtube.com/icannnews)



[flickr.com/icann](https://flickr.com/icann)



[linkedin/company/icann](https://linkedin/company/icann)



[slideshare/icannpresentations](https://slideshare/icannpresentations)



[soundcloud/icann](https://soundcloud/icann)